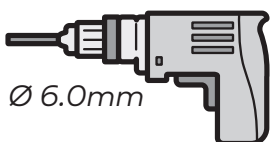
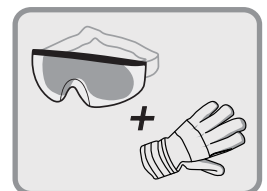
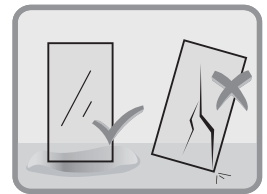
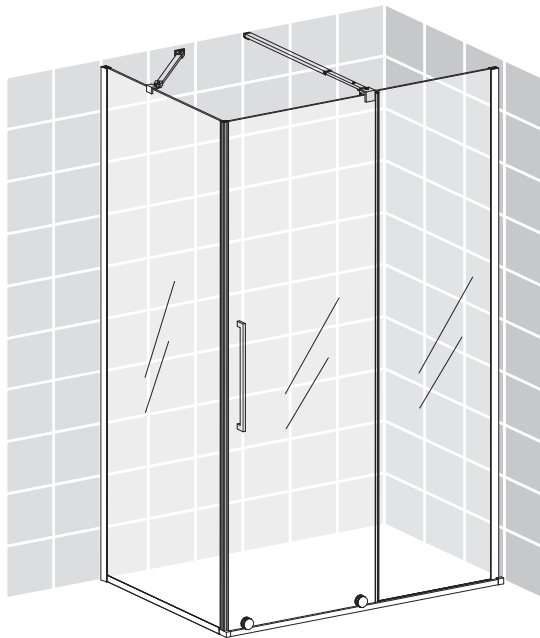
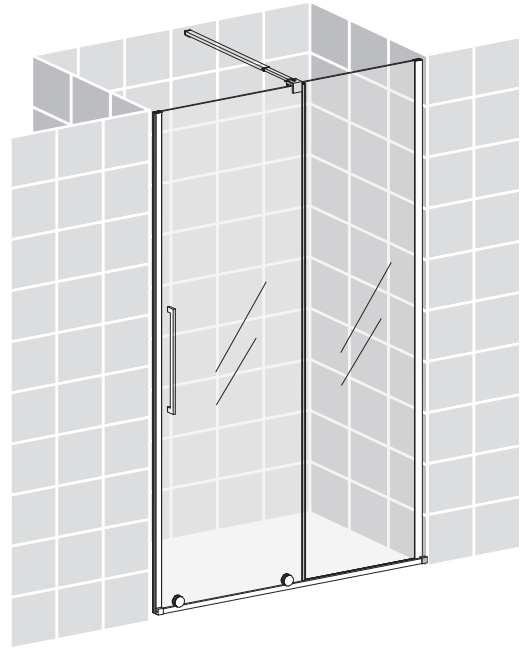
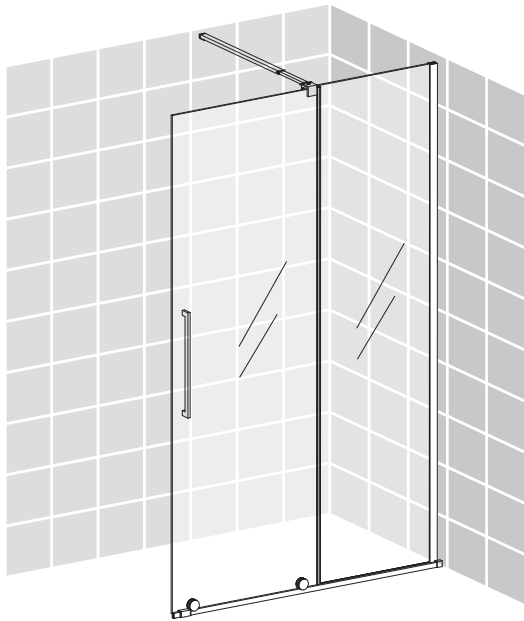


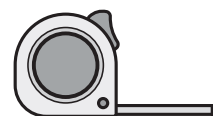
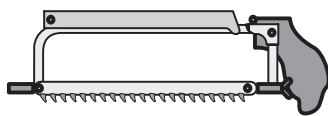


KØHLER II WALK- IN (FASTFELT, VENDBART)

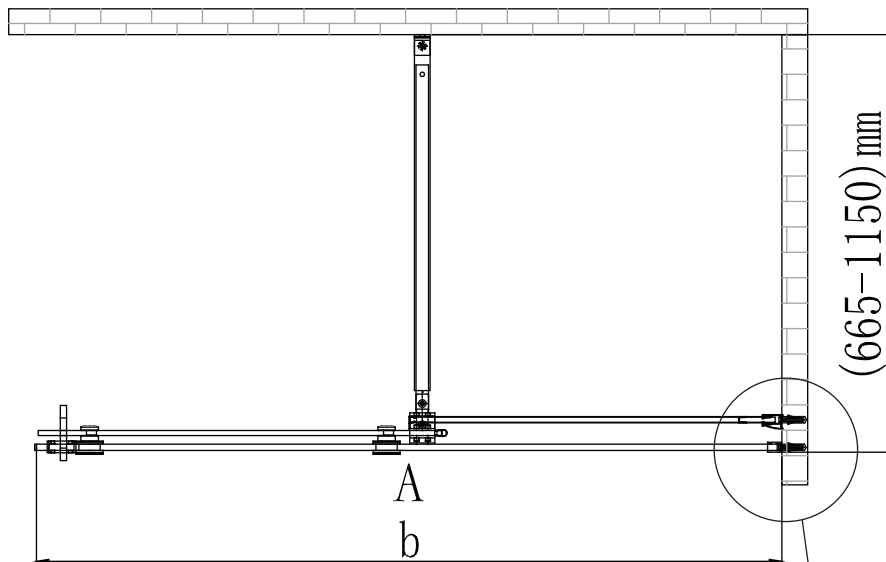
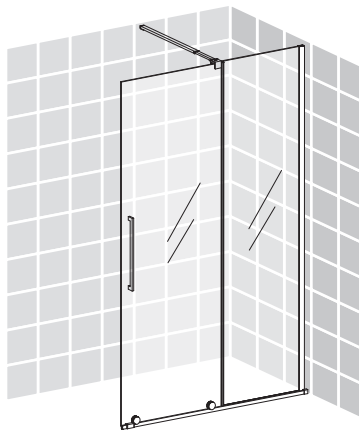
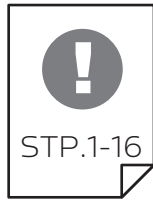
Sort Matt, Klart Glass



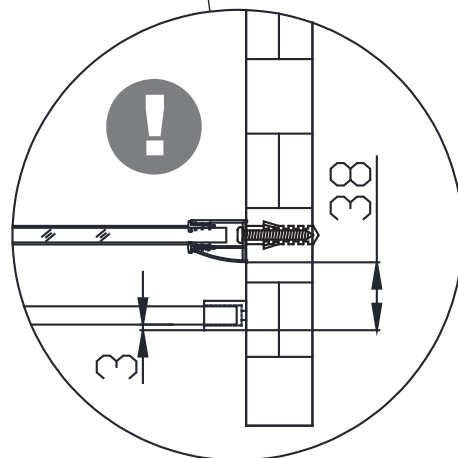
Ø 6.0mm

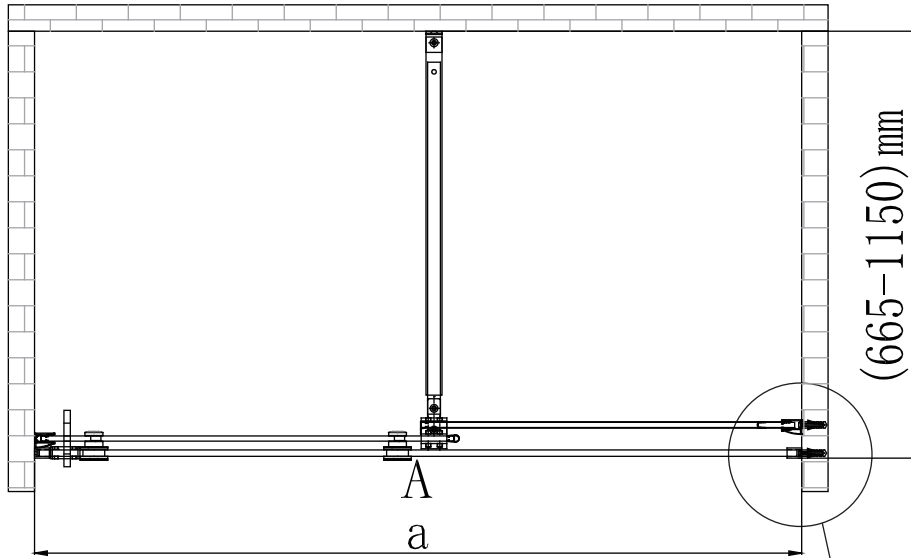
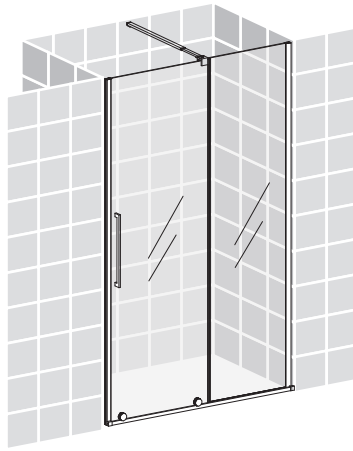
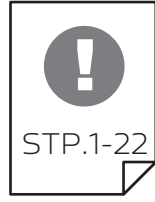


SILICONE

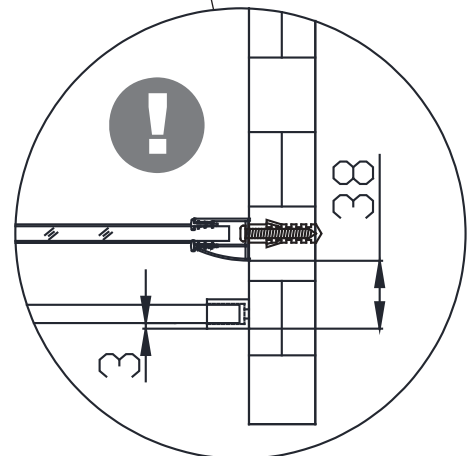


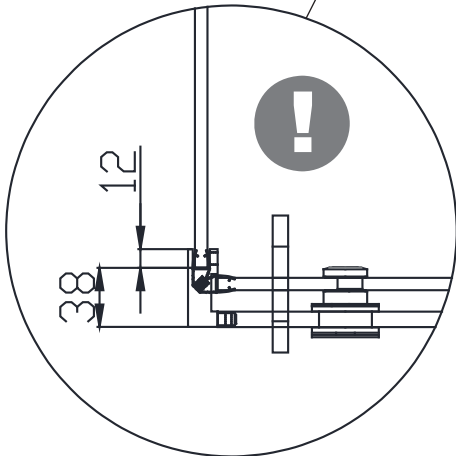
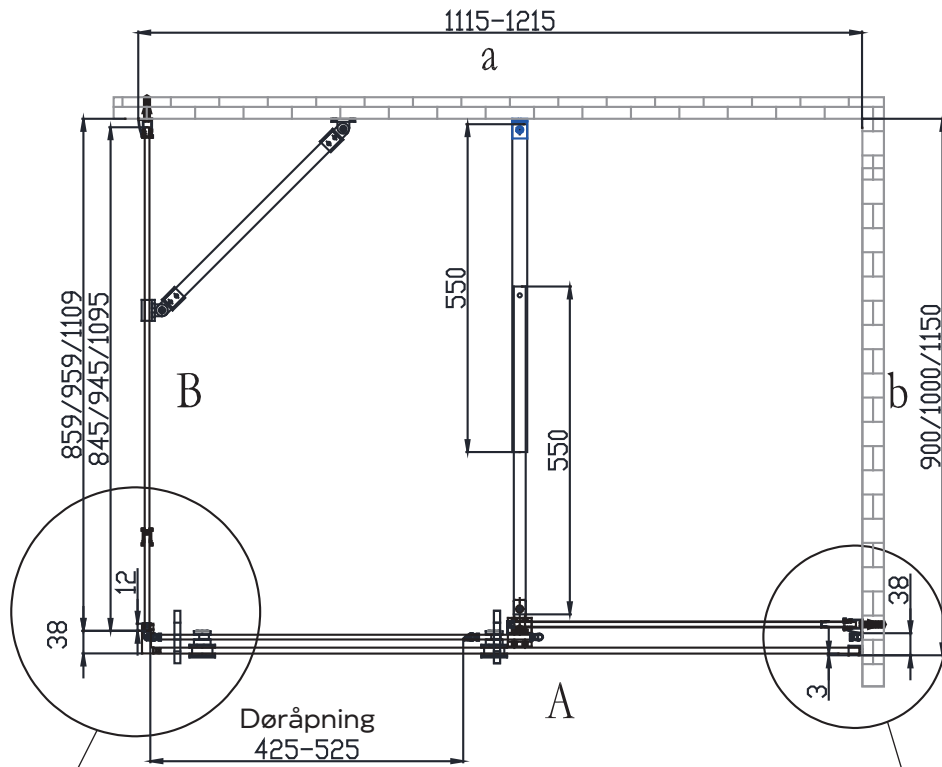
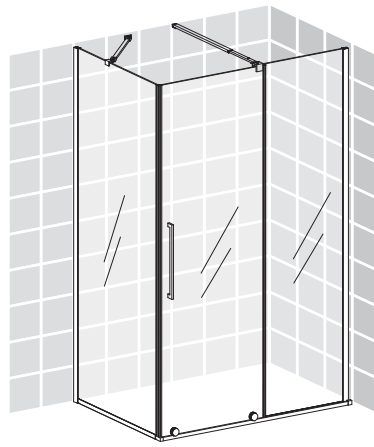
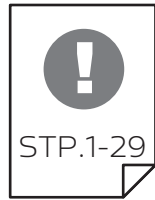
Model (A)	a (mm)
1200	1095-1195
1400	1195-1395
1600	1395-1595
1800	1595-1795



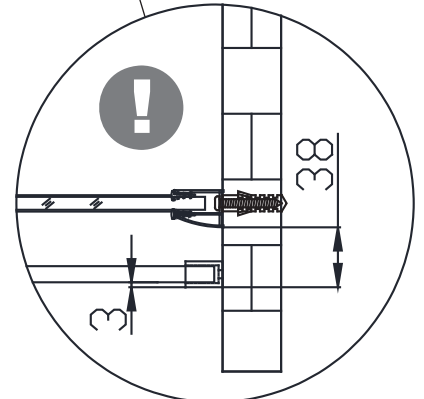


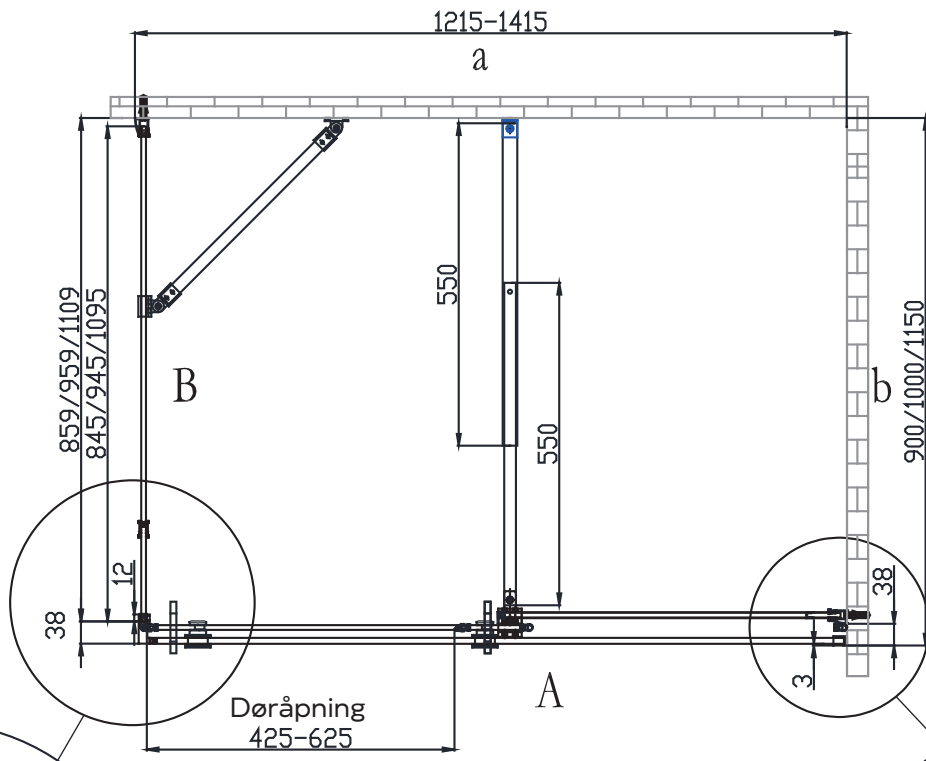
Model (A)	a (mm)
1200	1100-1200
1400	1200-1400
1600	1400-1600
1800	1600-1800



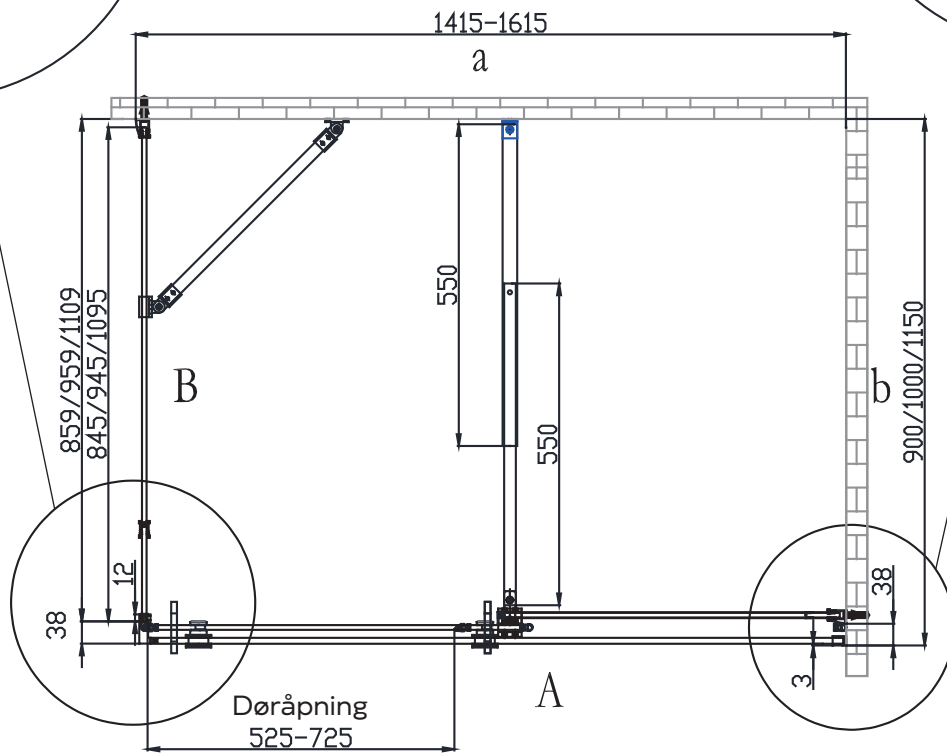


Model (A)	a (mm)	Model (B)	b (mm)
1200	1115-1215	850	900
		950	1000
		1100	1150

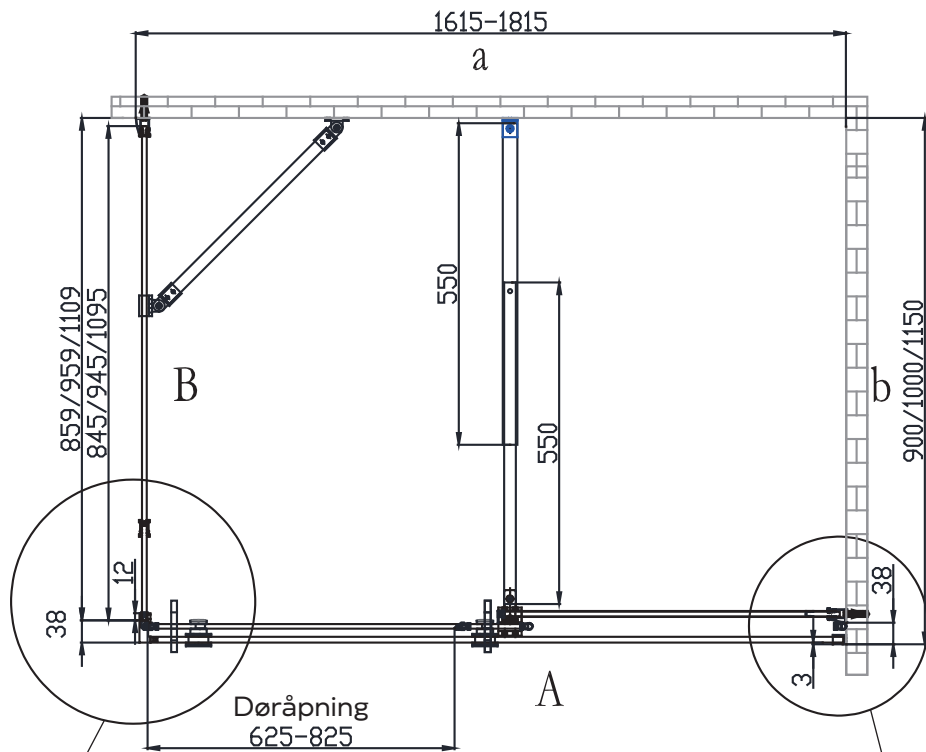




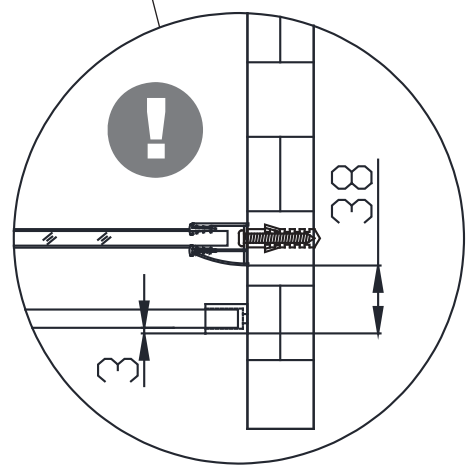
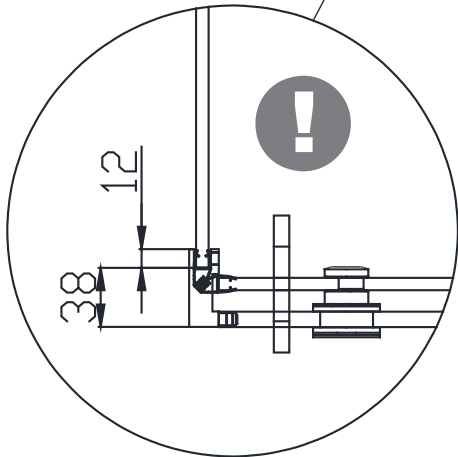
Model (A)	a (mm)	Model (B)	b (mm)
1400	1215-1415	850	900
		950	1000
		1100	1150



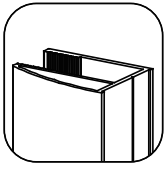
Model (A)	a (mm)	Model (B)	b (mm)
1600	1415-1615	850	900
		950	1000
		1100	1150



Model (A)	a (mm)	Model (B)	b (mm)
1800	1615-1815	850	900
		950	1000
		1100	1150

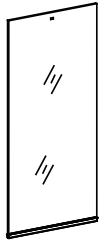


a



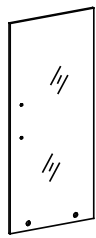
X2

b



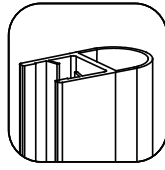
X1

c



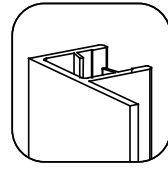
X1

d



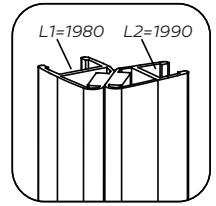
X2

e



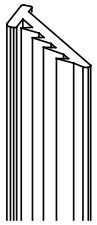
X1

f



X1

g



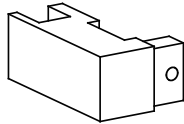
X2

h



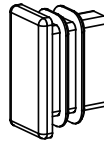
X2

i



X1

j

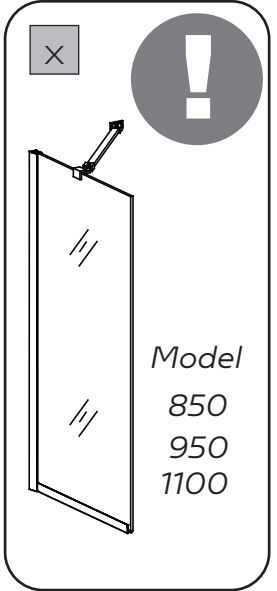


X1

k



X1

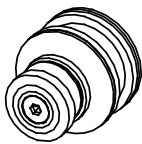


l



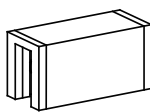
X1

m



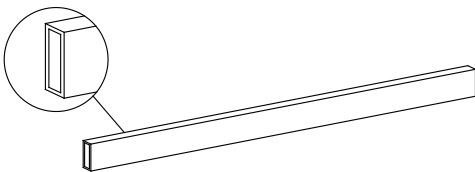
X2

n



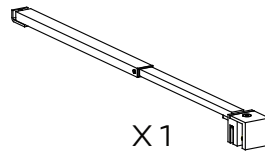
X1

o



X1

p



X1

q



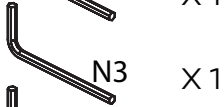
X1

r



X1

s



X1

t



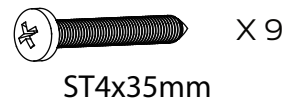
X1

u



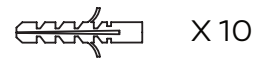
X1

v



X9

w

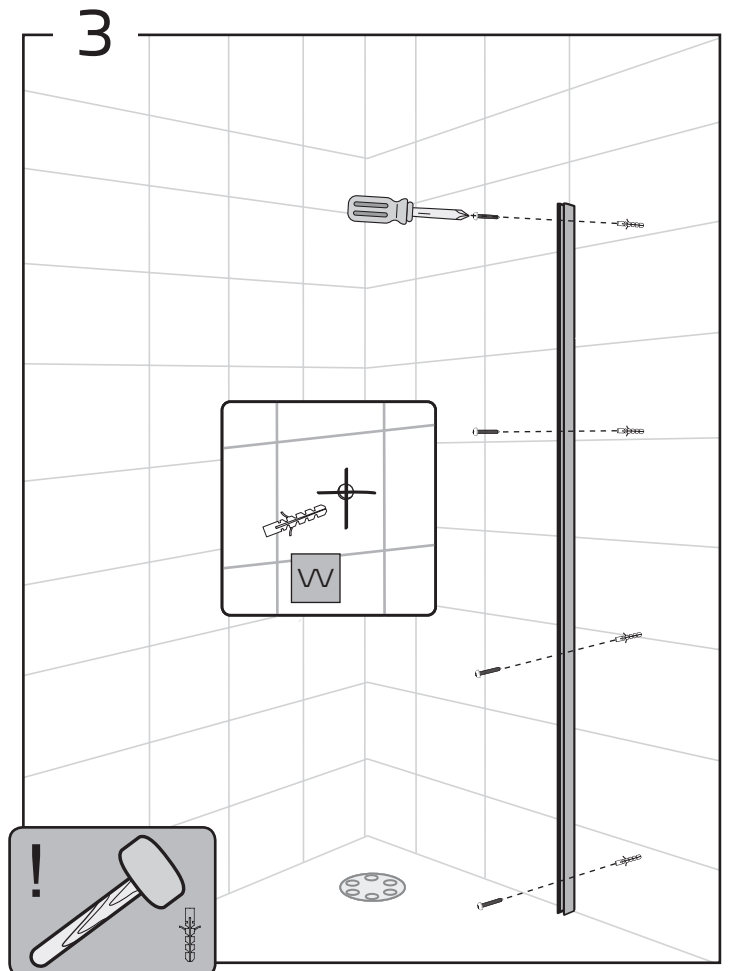
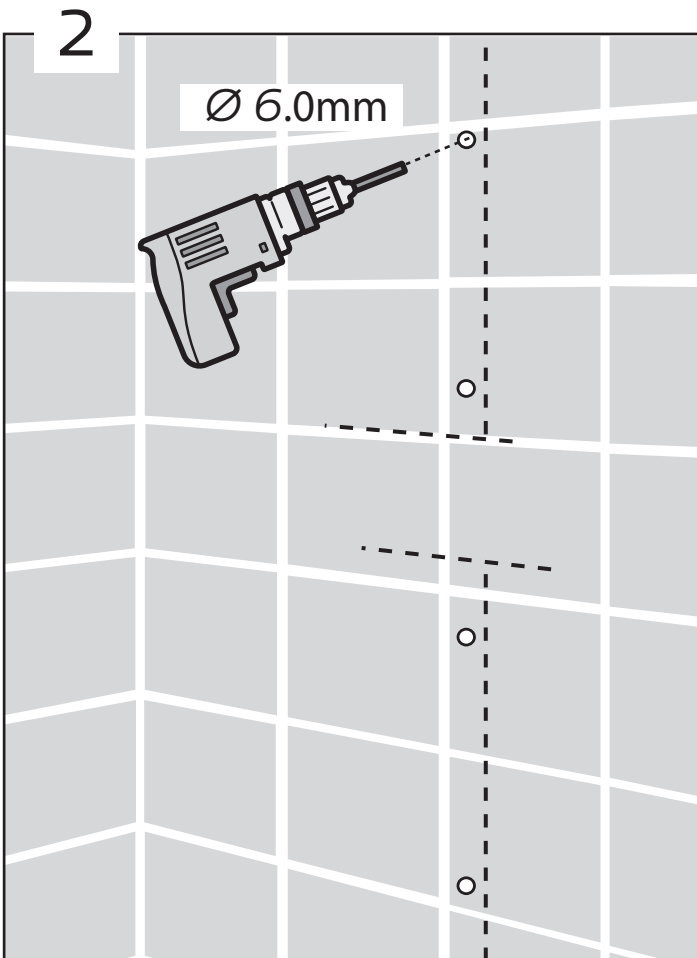
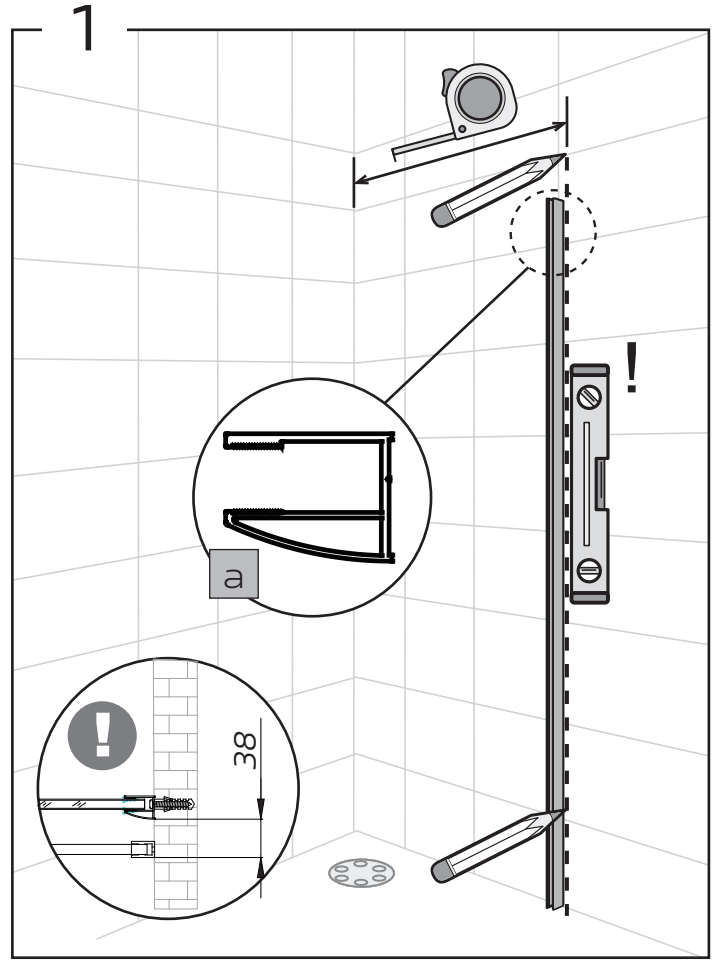
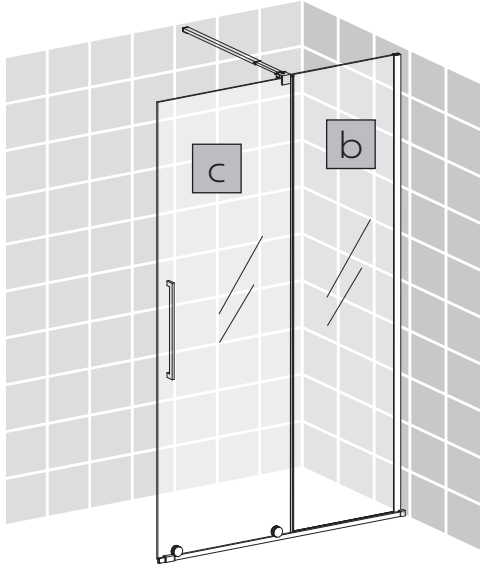


X10

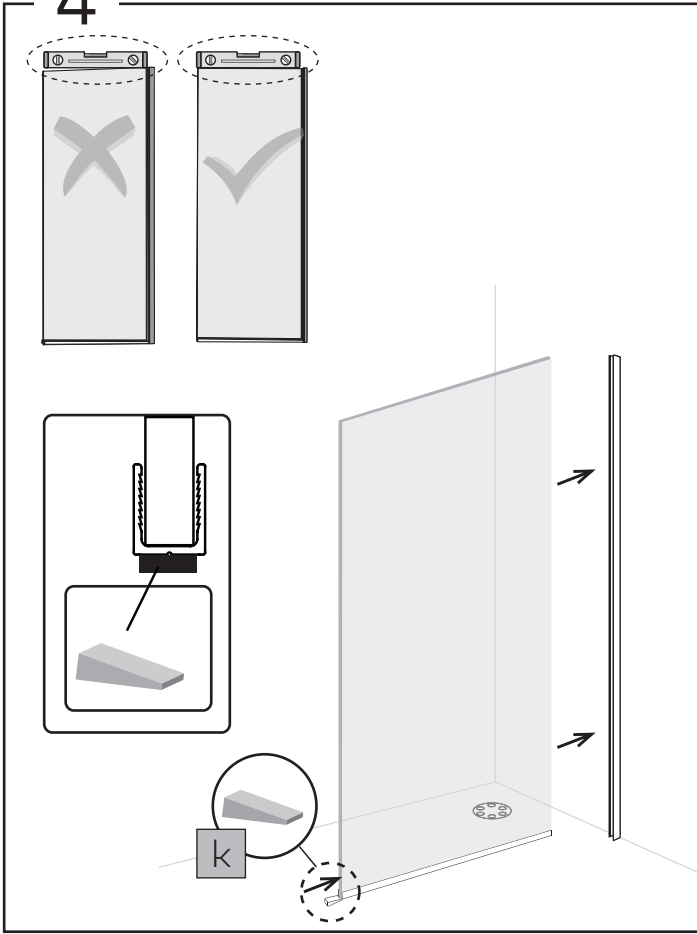


STP.1-16

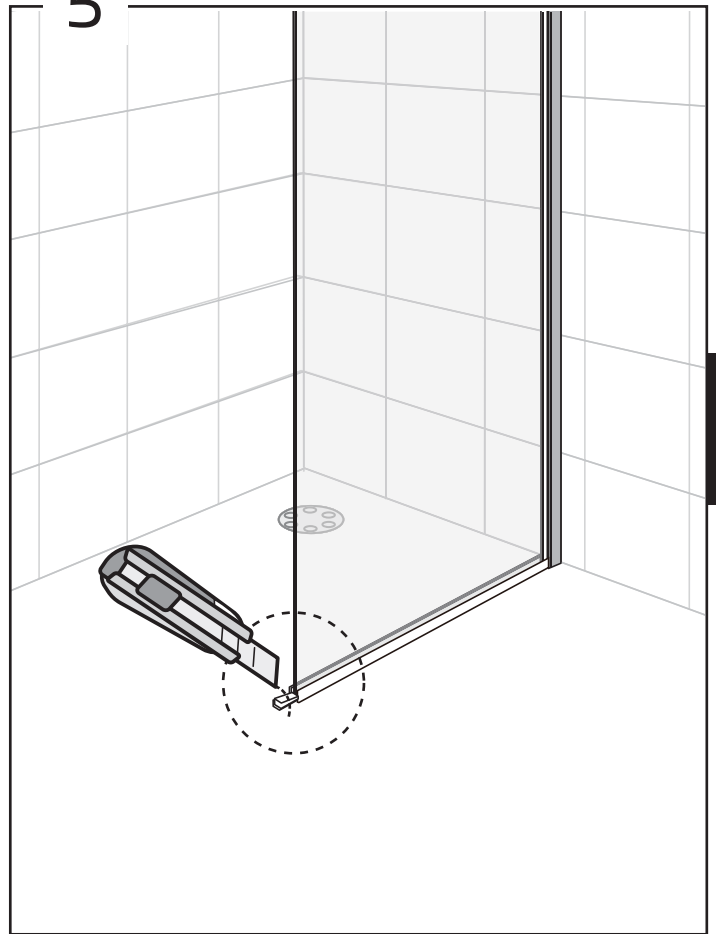
08(16)



4

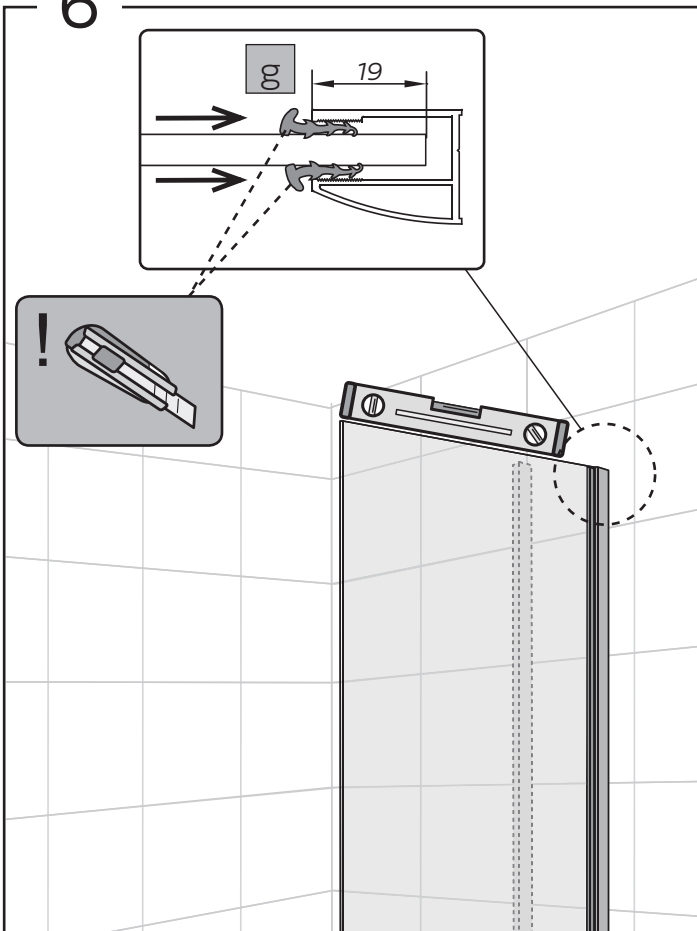


5

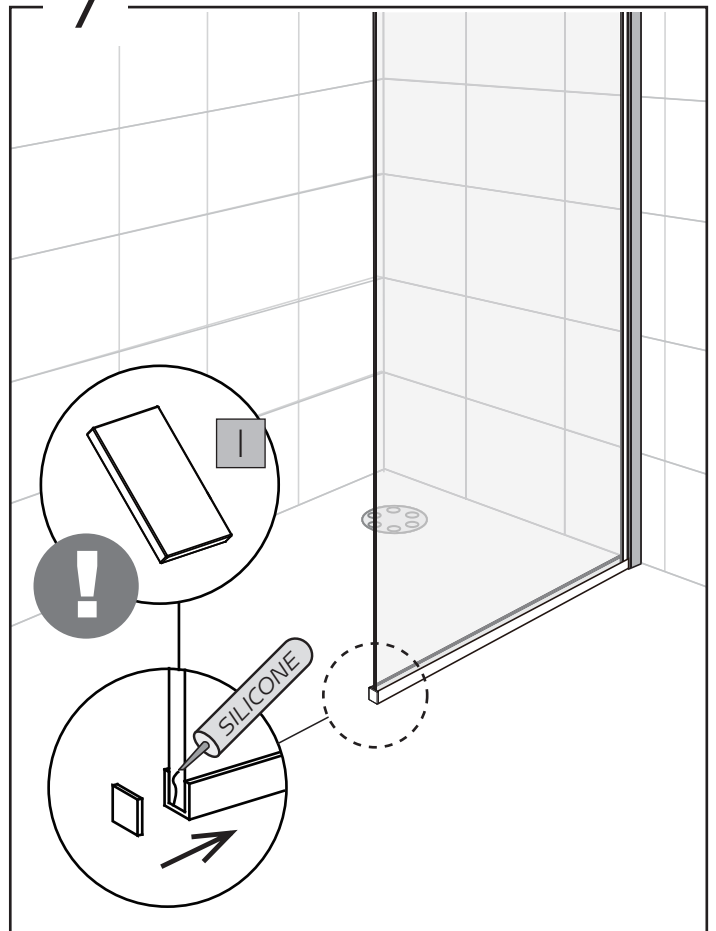


09(16)

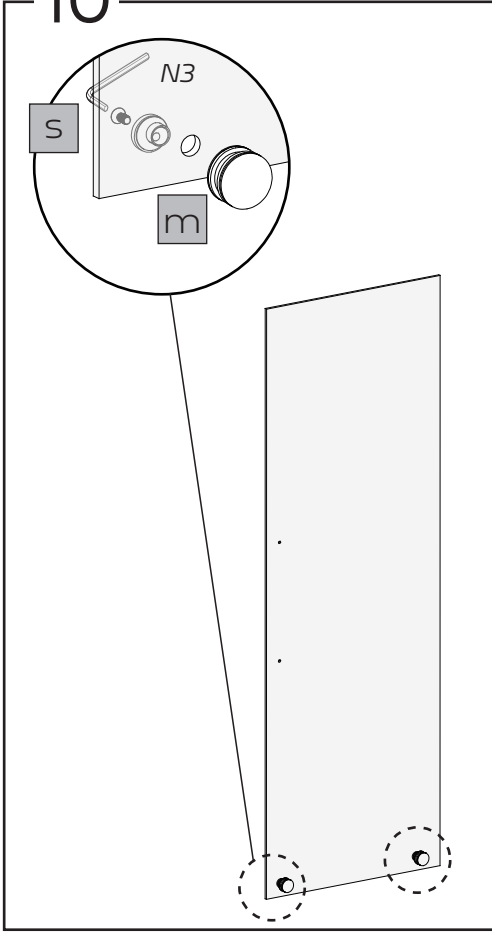
6



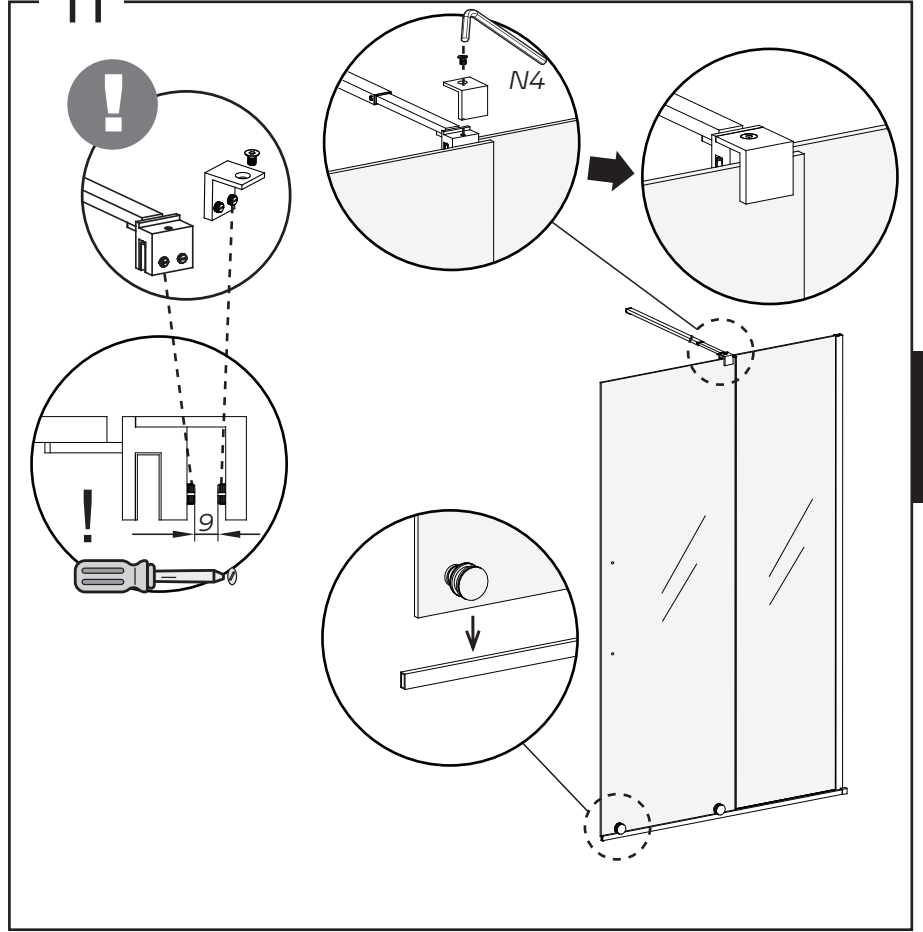
7



10

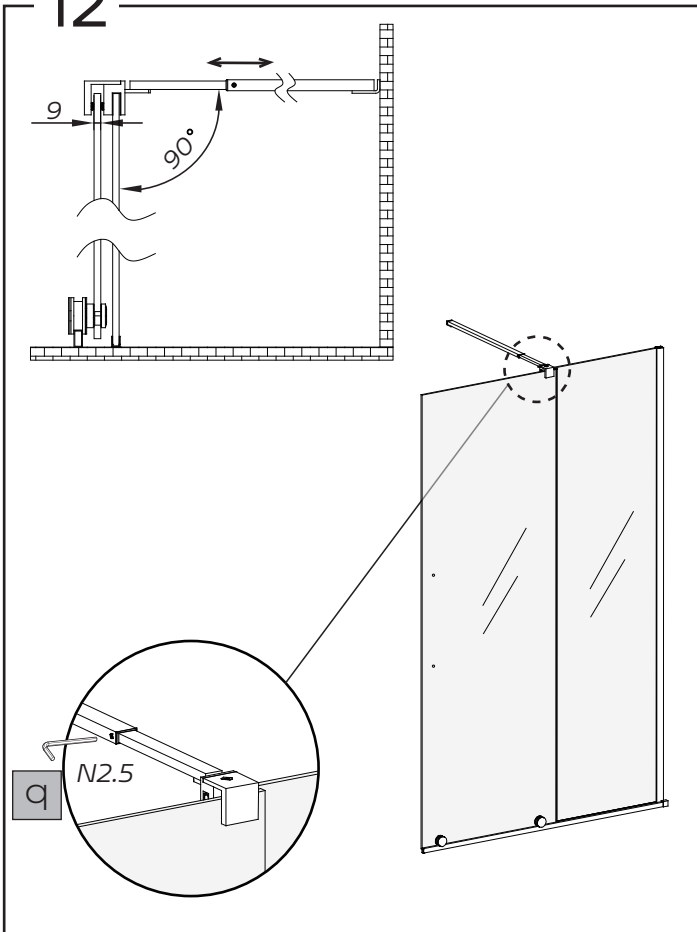


11

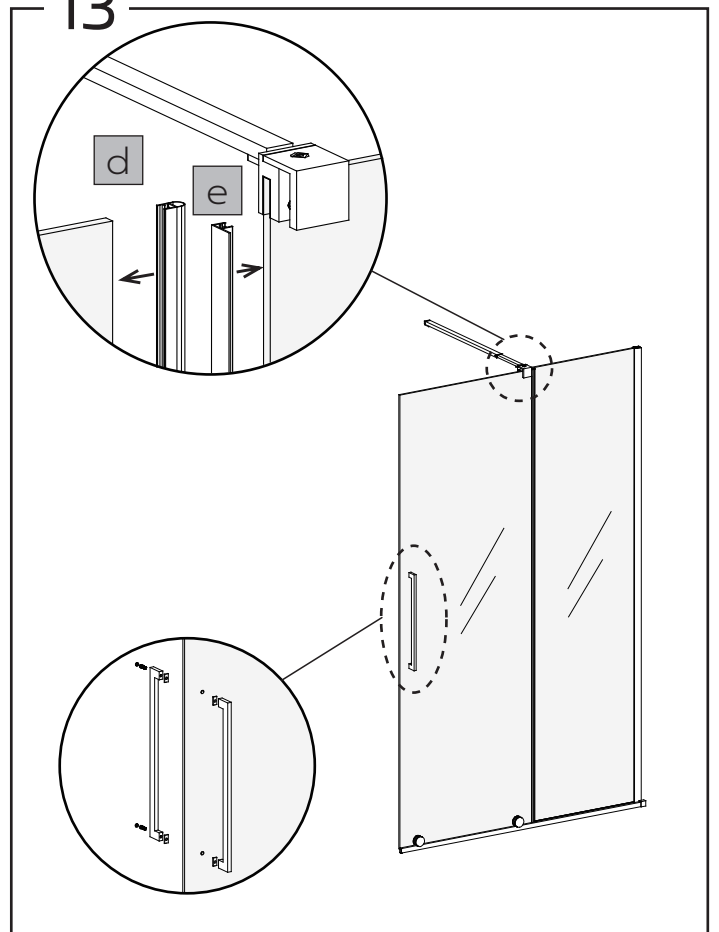


11(16)

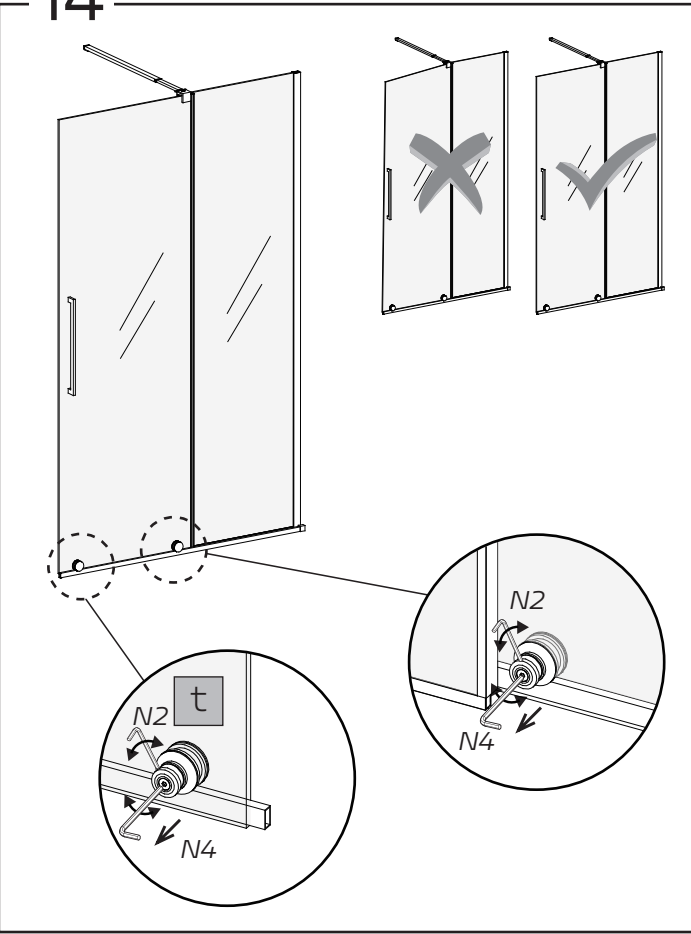
12



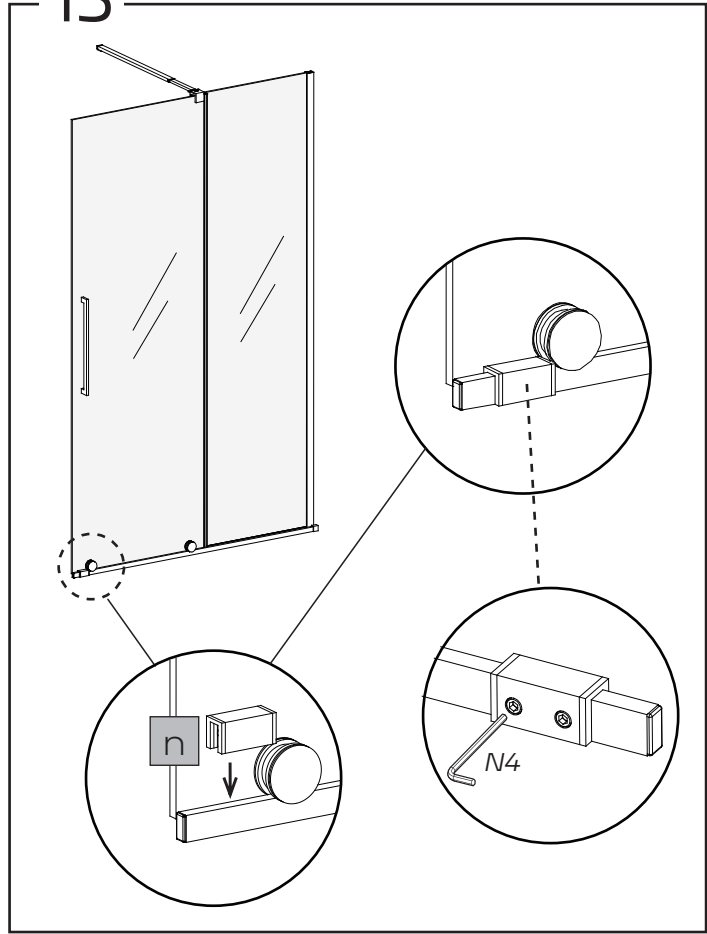
13



14



15

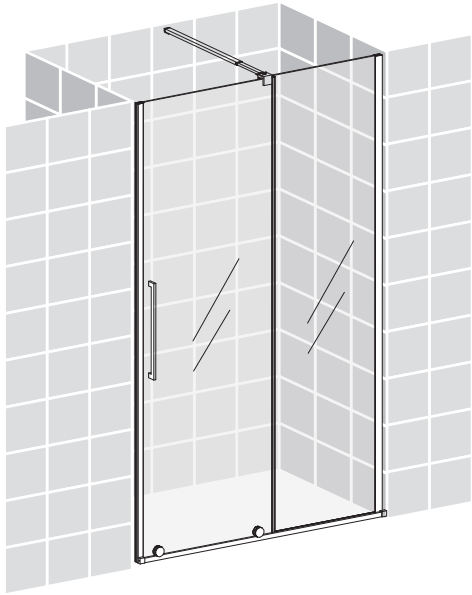


16

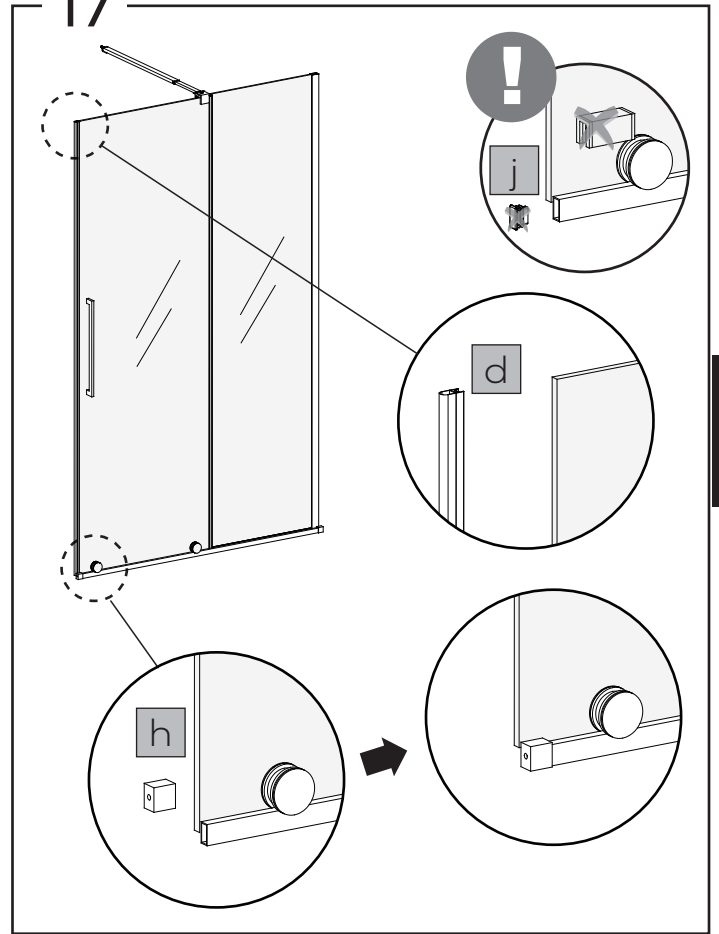




STP.1-22

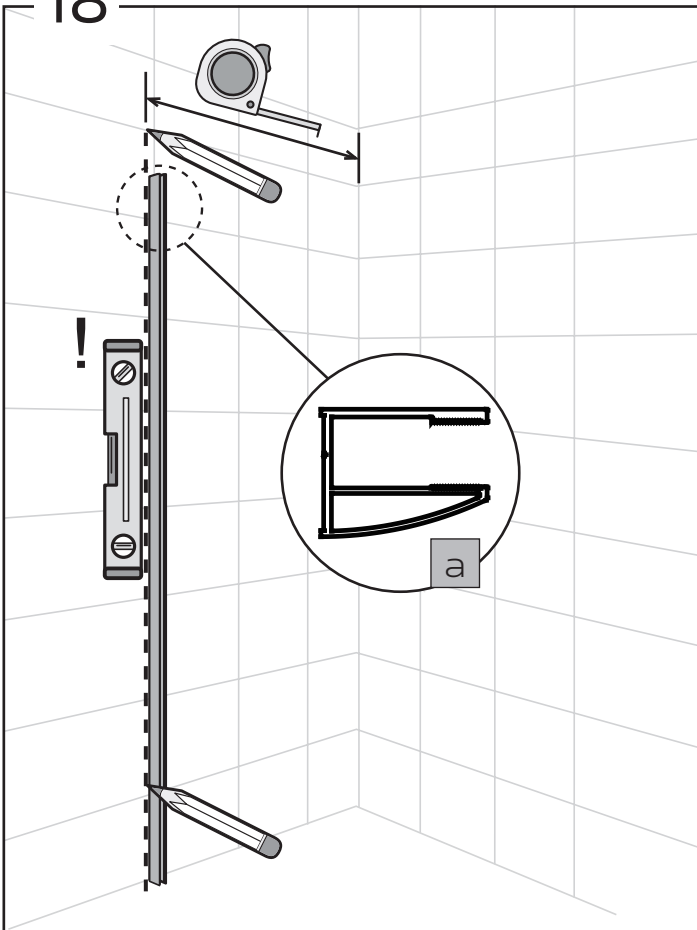


17

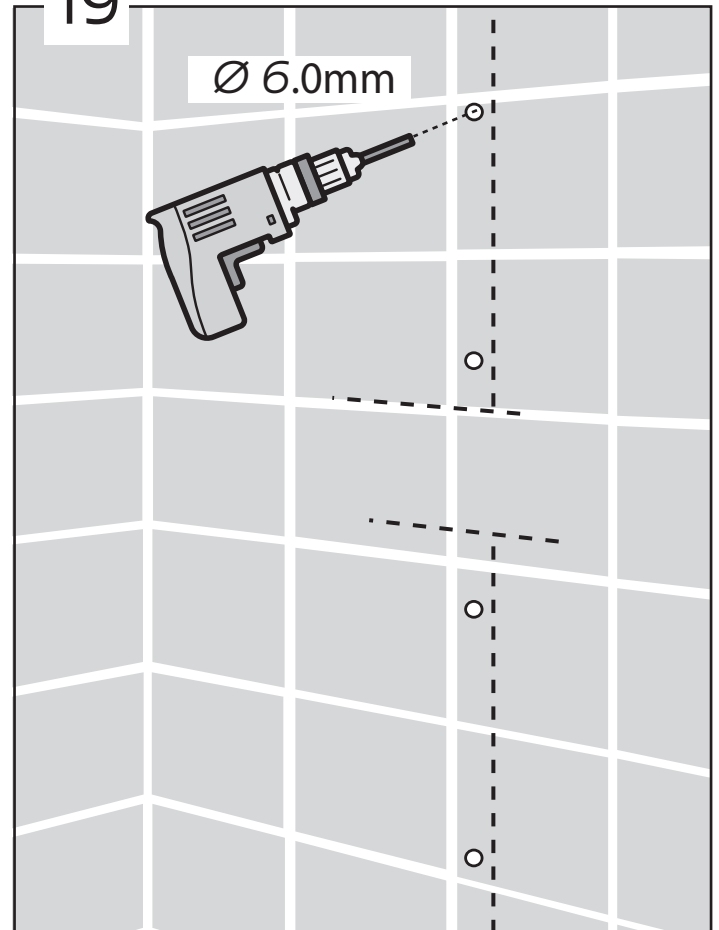


13(16)

18

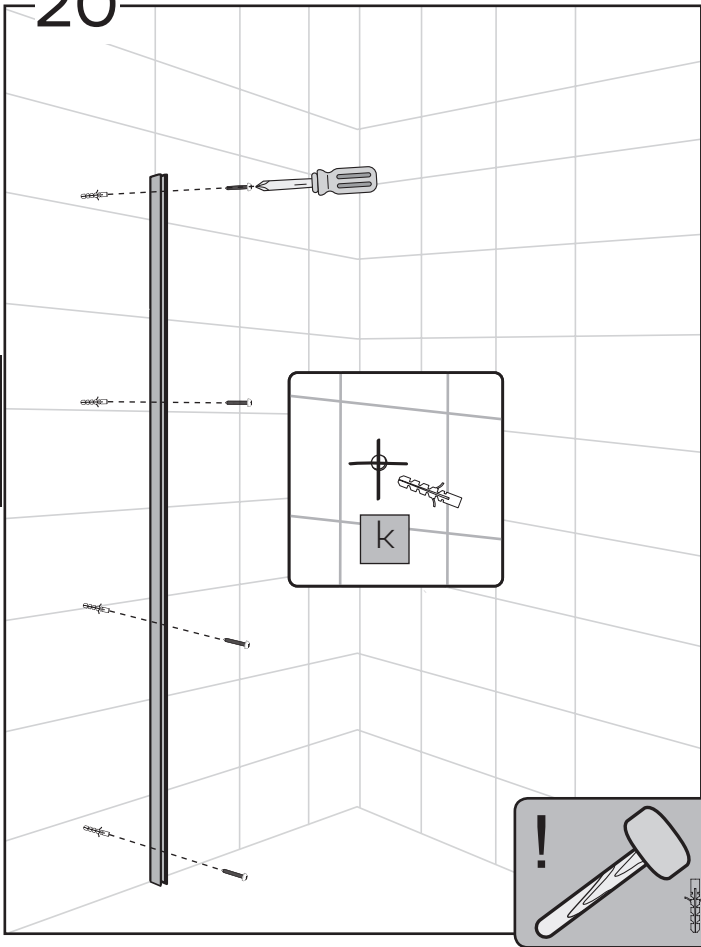


19

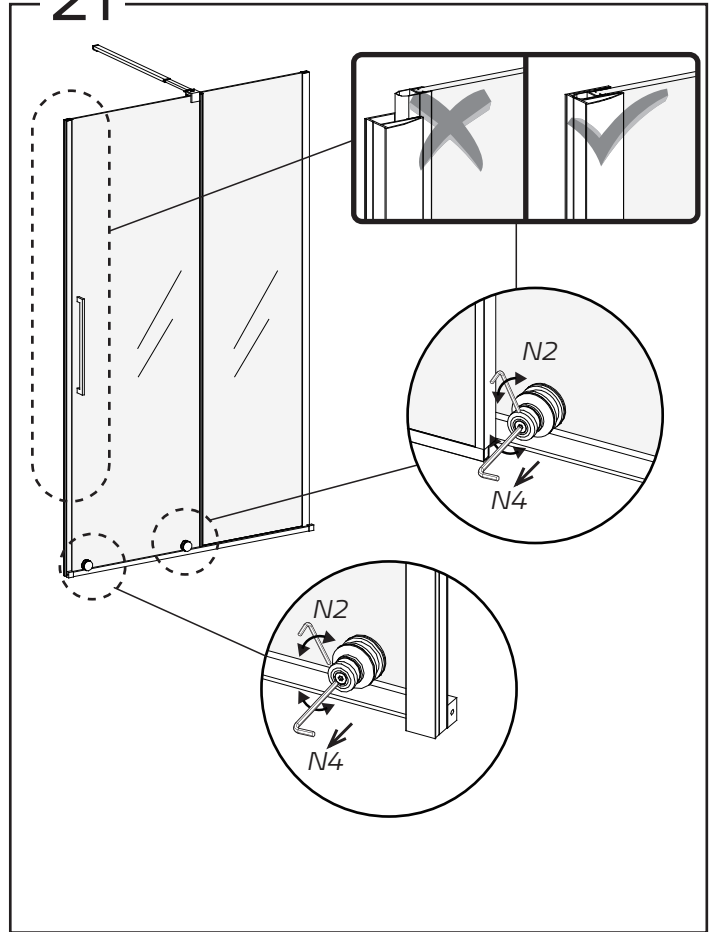


20

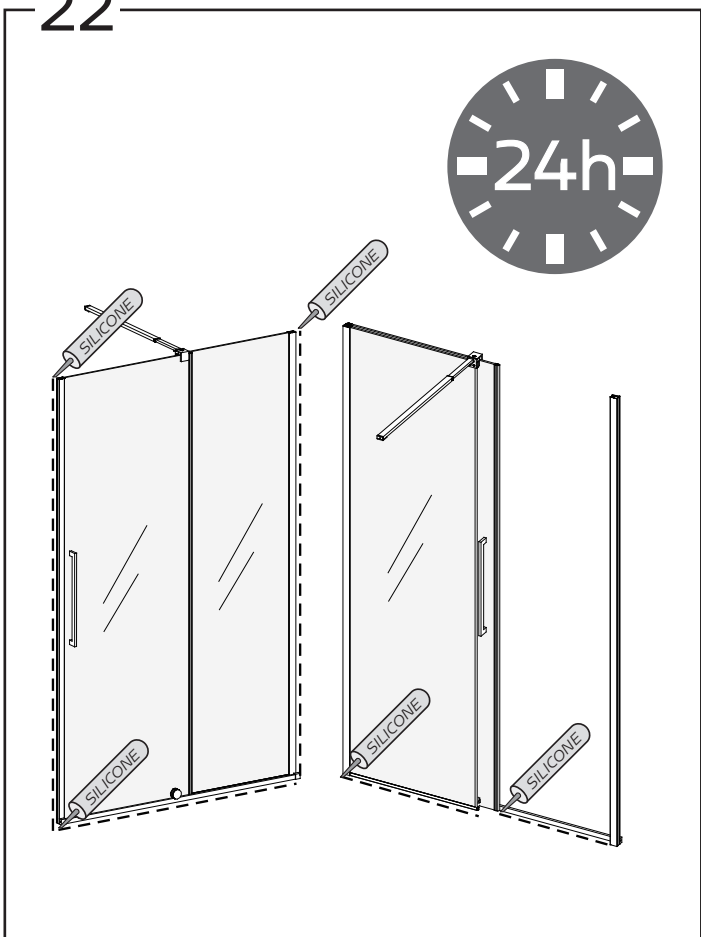
14(16)



21

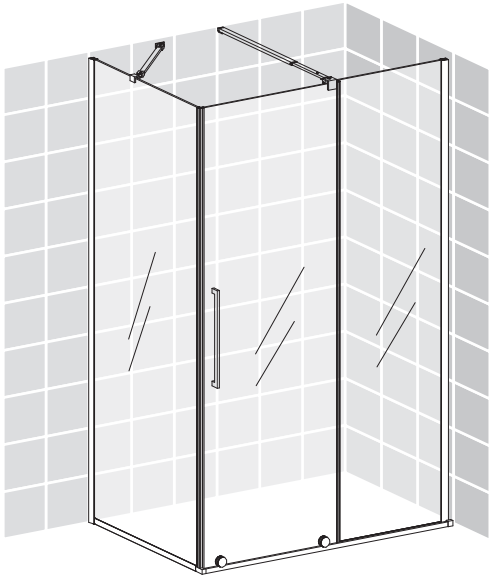


22

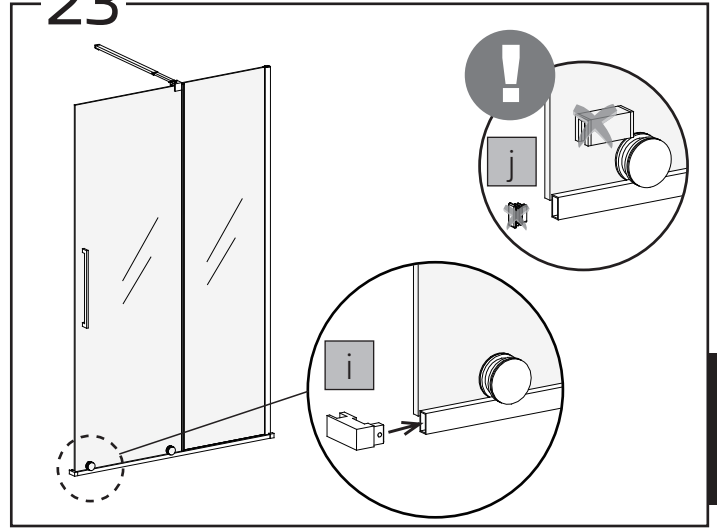




STP.1-29

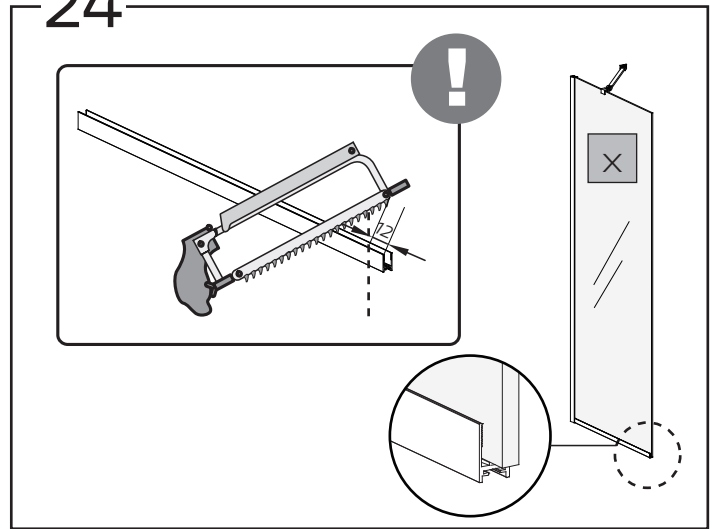


23

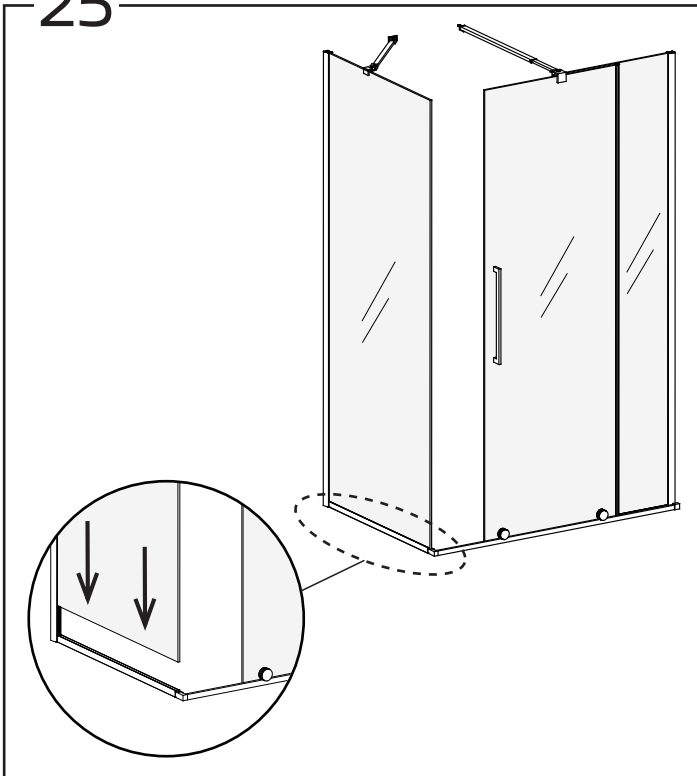


15(16)

24



25



26

